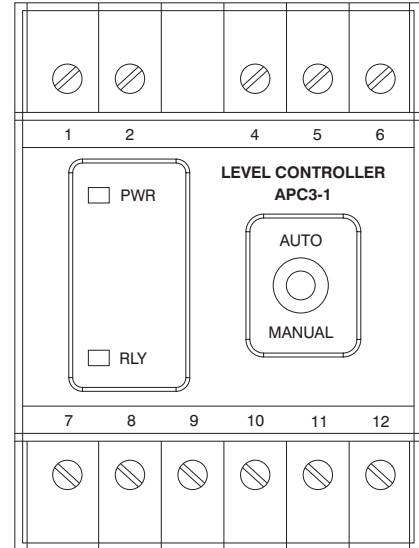


LEVEL CONTROLLER - APC3-1



FEATURES

- DIN Rail mounted
- High & Low level indication/control
- Potential free relay output

SPECIFICATIONS :

Supply Voltage : 230V AC +/- 20% 50HZ
Output : 2 C/O Contact rated
5A@250V AC (Resistive)

SUPPLY VOLTAGE :

To Float Switch : 24V DC

DIMENSION DETAILS :

Length - L : 70mm
Breadth - B : 51mm
Height - H : 112mm

CONNECTION DETAILS (APC3-1)

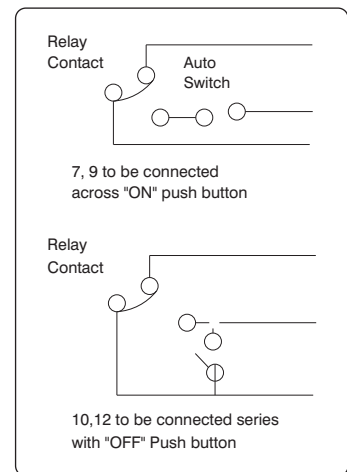
1, 2 - 230V AC Supply

4 - HIGH
5 - LOW
6 - COM

7 - COM
8 - NC
9 - NO

10 - COM
11 - NC
12 - NO

From Float Switch



SHRIDHAN AUTOMATION PVT. LTD.,

#B-54, KSSIDC Industrial Estate, Kumbalagodu, Mysore Road, Bengaluru - 560074

Ph. : 080 - 28437847 / 28437848 ; Fax : 080 - 28437849 ; Email : info@shridhan.com ; Website : www.shridhan.com