

HORIZONTAL MOUNTING TYPE MAGNETIC FLOAT LEVEL SWITCHES - HFS

It is an economical, maintenance free and reliable device used for high, low or intermediate point level switching. It is ideal for tanks with inaccessible tops or bottoms and where insertion depths of top mounted models are exceeded.

CONSTRUCTION & OPERATION

Compact & rugged construction consisting of a free moving pivoted float assembly and a switch enclosure in non - magnetic material to achieve undisturbed magnetic flux. It employs dual magnets, one carried by the float arm and other by the contact carriers housed in the switch enclosure. A change in liquid level brings the like poles of dual magnets opposite to each other and resulting repulsion force ensures a changeover of contacts with snap action. The magnetic transmission is glandless, leaving no scope for leakages from vessel into switch housing. These switches are manufactured in various materials, enclosures & special features to suit broad range of media / applications. They are designed to provide high repeatability and to minimize effects of shock, vibration & Pressure.

INSTALLATION

Mounted internally or externally through a chamber. External mounting is resorted to, where space is a limiting factor or mechanical devices like stirrers operate within the tank. Besides, in applications like boilers, reaction kettles etc., with external mounting, isolating is possible for regular servicing. The switch is normally side-mounted, however for applications like slurry, top installation is preferred. The switch can be wired directly "to make or break electrical circuits", of burners, heaters, motorpumps, alarms and other such electrically operated devices.



Flame Proof - SS Enclosure

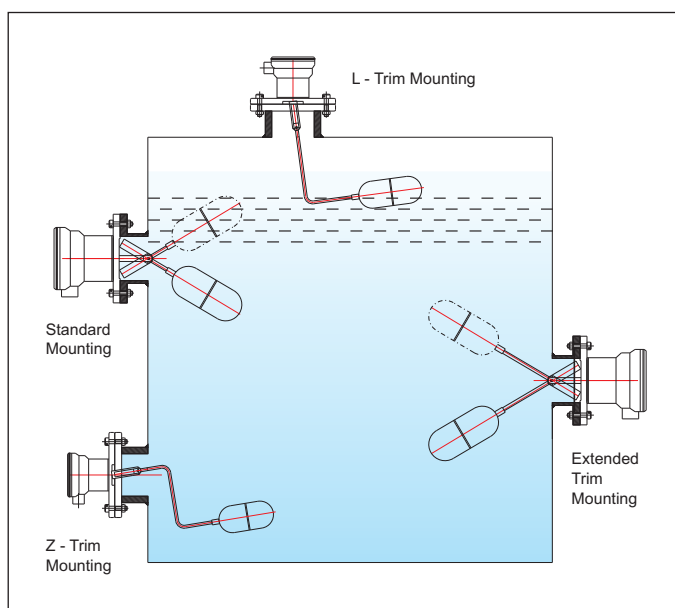


Weather Proof - Cast Aluminium Enclosure



Complete PP Construction

TYPICAL INSTALLATION OF HFS



FEATURES

1. Approved by CMRI for Gr. I, IIA, IIB applications
2. Level switch also available in complete SS316 MOC
3. Customization on request
4. External cage option available

APPLICATION

Fuel oil tank control, Boiler feed water drum control, cooling tower lubrication/cooling/filtration systems, paint shops, water/waste water treatment plants, food/drug/ pharmaceuticals/petrochemical plants/separation plants, sealing liquid level control for generators etc.

ORDERING INFORMATION FOR HORIZONTAL MOUNTING TYPE MAGNETIC FLOAT LEVEL SWITCHES

SPECIFY PART NO. → HFS

1	2	3	4	5	6

EXAMPLE : HFS

W	2	1	1	2	F3
---	---	---	---	---	----

1 ENCLOSURE

- W : Weatherproof IP66 / Aluminium
- F : Flame Proof / SS304 for Gr. IIA, IIB
- P : Poly Propylene
- O : Others

2 WETTED PARTS

- 1. SS304
- 2. SS316
- 3. Poly Propylene
- O Others

3 FLANGE SIZE

- 1. Ø120mm x 92PCD
- 2. Ø127mm x 98PCD (1 1/2" 150# ANSI)
- 3. Ø152mm x 121mm PCD (2" 150# ANSI)
- 4. Ø152mm x 114mm PCD (2" BS 10 T'D')
- 5. Ø190mm x 152.4 PCD (3" #150 ANSI)
- 6. Ø165mm x 127 PCD (2 1/2" T'E')
- 7. Ø178mm x 140 PCD (2 1/2" #150 ANSI)
- 8. Others

4 SWITCH TYPE

- 1. 250V 5A 1SPDT (Micro Switch)
- 2. 250V 5A 2SPDT (Micro Switch)

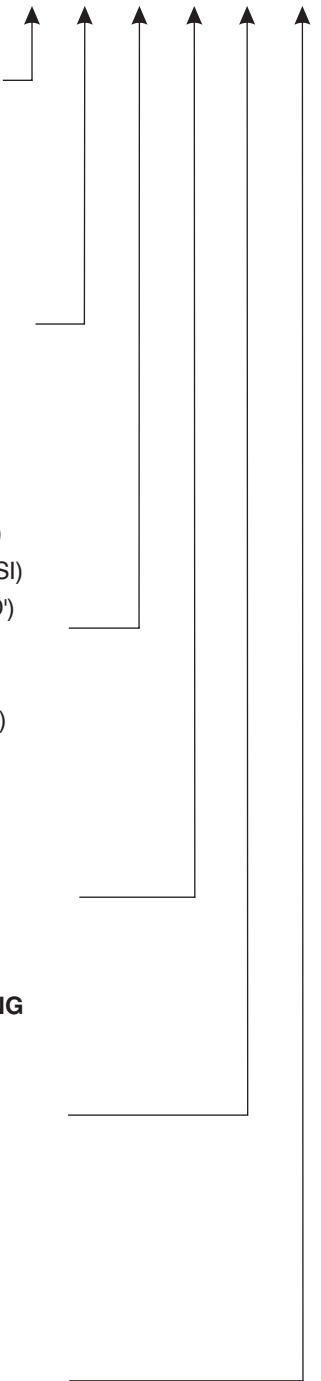
5 PRESSURE & TEMPERATURE RATING

- 1. Nominal Pressure & Temperature
- 2. 10kg/cm², 150°C
- 3. 10kg/cm², 180°C
- 4. 20kg/cm², 180°C

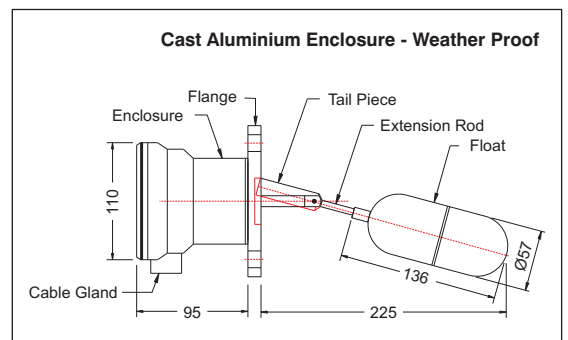
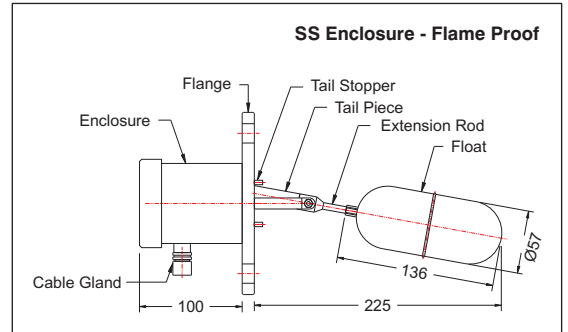
6 FLOAT MOC x SIZE

TYPE	MATERIAL	FLOAT DIA
F1	SS304	50mm
F2	SS304	57mm
F3	SS316	57mm
F4	PP	60mm
F5	PP	53mm

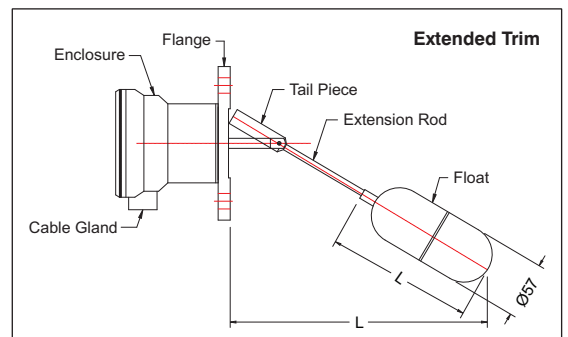
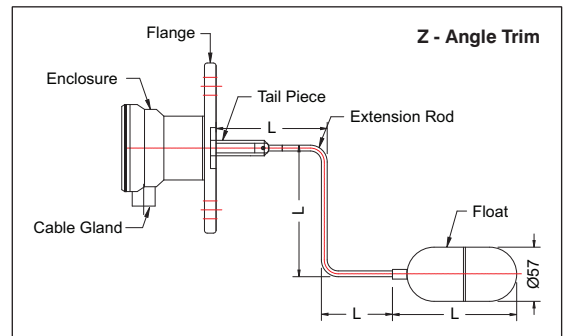
1	2	3	4	5	6
---	---	---	---	---	---



STANDARD DRAWINGS



CUSTOMIZED APPLICATION - DRAWINGS



SHRIDHAN AUTOMATION PVT. LTD.,

#B-54, KSSIDC Industrial Estate, Kumbalagodu,

Mysore Road, Bengaluru - 560074

Ph. : 080 - 28437847 / 28437848 ; Fax : 080 - 28437849

Email : info@shridhan.com ; Website : www.shridhan.com

Note: All dimensions in MM, unless otherwise specified.