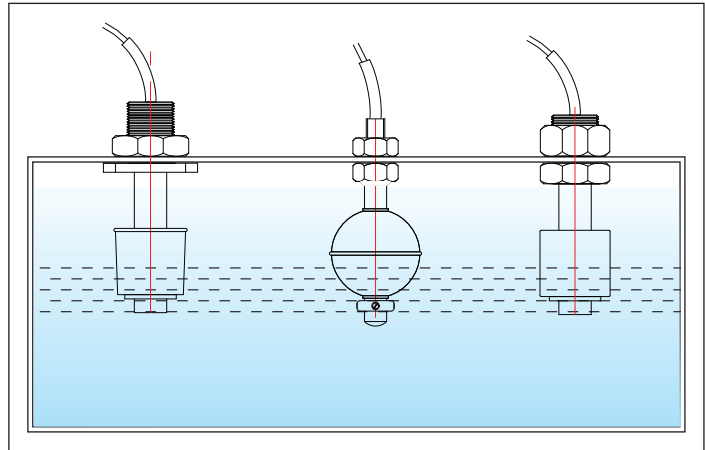


MINI VERTICAL MOUNTING TYPE FLOAT SWITCHES - MVFS

MINI LEVEL SWITCHES - MVFS : Are installed vertically and can be side mounted through an elbow. They provide actuation high, low or intermediate liquid levels. The switch actions can be reversed from N/O to N/C & vice versa by simply changing the float direction.

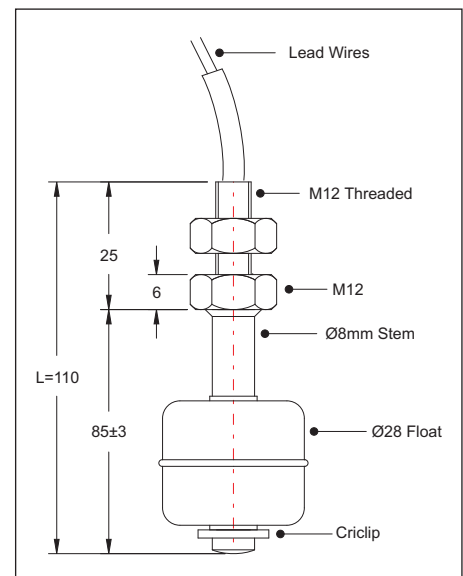
APPLICATIONS : Hot Water / Coffee Servers, Vending Machines, Ice Makers, Humidifiers, Food Industry, Air Conditioning & Refrigeration, Analysers, Engines, Agricultural Machines, Hydraulic, Lubricating & Oil Filtration Equipment's, Industrial Working Machines, Spark Erosion Machines & SPMs.

TYPICAL INSTALLATION INSIDE TANKS



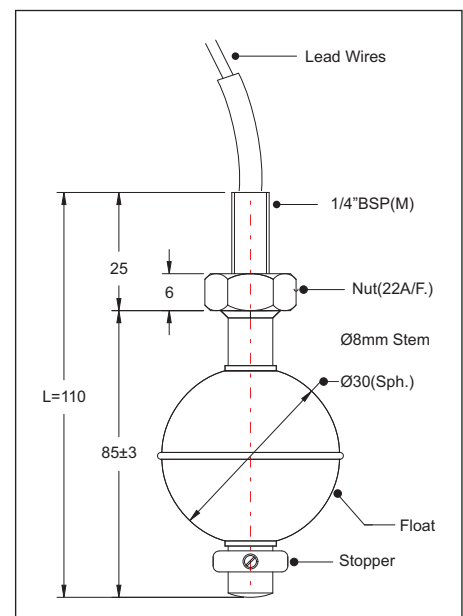
M-SS

Float Material	: SS316
Float Size	: Ø28MM (Cylindrical)
Guide Tube Material	: SS304
Process Conn.	: M12 threaded with lock nut
Switch Capacity	: 15VA (NO)
Switching Voltage	: 125V AC/200V DC
Switching Current	: 0.25A
Carry Current	: 0.5A
Termination	: PVCx1000mm extrn. leads
Switch Action	: Reversible
Max. Test Pressure	: 2Kg/cm ²
Max. Temperature	: 70°C
Min. Liquid Sp. Gr.	: 0.7



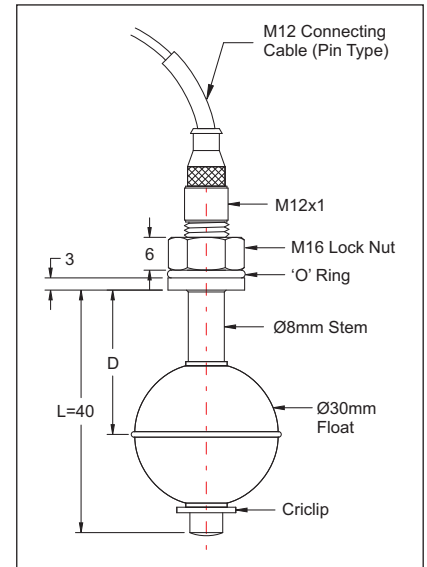
M-SS (BRASS VERSION)

Float Material	: SS316
Float Size	: Ø30MM (Spherical)
Guide Tube Material	: Brass
Process Connector	: M10 threaded
Switch Capacity	: 15VA (NO)
Switching Voltage	: 125V AC/200V DC
Switching Current	: 0.25A
Carry Current	: 0.5A
Termination	: PVCx1000mm extrn. leads
Switch Action	: Reversible
Max. Test Pressure	: 2Kg/cm ²
Max. Temperature	: 70°C
Min. Liquid Sp. Gr.	: 0.7



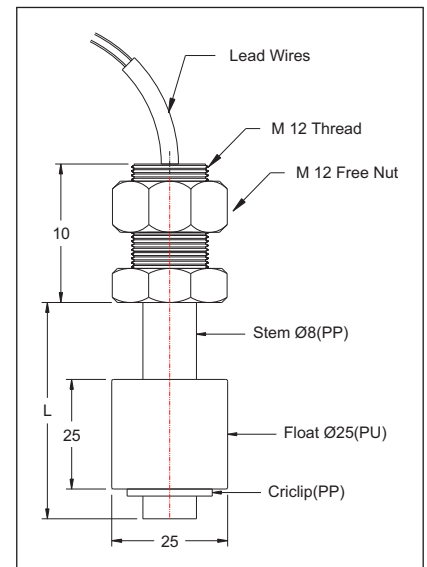
M-SS (WITH CONNECTOR CABLE)

Float Material	: SS316	
Float Size	: Ø30MM (Spherical)	
Guide Tube Material	: Brass	
Process Conn.	: M16 threaded with lock nut Or M12 for Connecting Cable*	
Switch Capacity	: 15VA (NO)	
Switching Voltage	: 125V AC/200V DC	
Switching Current	: 0.25A	
Carry Current	: 0.5A	
Termination	: PIN type (2 terminals)	
Switch Action	: Reversible	
Max. Test Pressure	: 2Kg/cm ²	
Max. Temperature	: 70°C	
Min. Liquid Sp. Gr.	: 0.7	*Option available on request



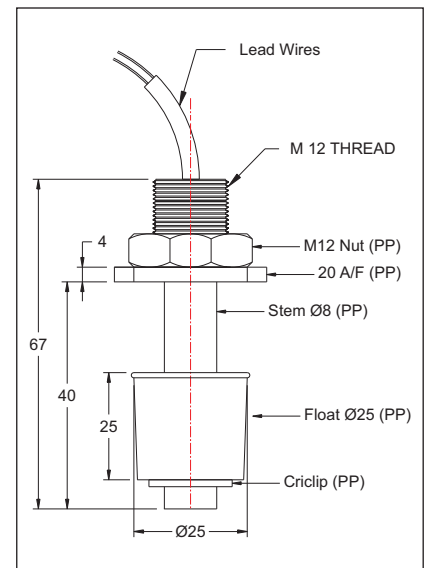
M-PU

Float Material	: PU Foam	
Float Size	: Ø25x25mm	
Guide Tube Material	: PP	
Process Conn.	: M12 threaded with PP lock nut	
Switch Capacity	: 15VA (NO)	
Switching Voltage	: 125V AC/200V DC	
Switching Current	: 0.25A	
Carry Current	: 0.5A	
Termination	: PVCx1500mm extrn. leads switch	
Action	: Reversible	
Max. Test Pressure	: 1Kg/cm ²	
Max. Temperature	: 40°C	
Min. Liquid Sp. Gr.	: 0.75	



M-PP

Float Material	: Poly Propylene (Hollow)	
Float Size	: Ø25x25mm	
Guide Tube Material	: Poly Propylene	
Process Conn.	: M12 threaded with PP lock nut	
Switch Capacity	: 15VA (NO)	
Switching Voltage	: 125V AC/200V DC	
Switching Current	: 0.25A	
Carry Current	: 0.5A	
Termination	: PVCx1500mm extrn. leads switch	
Action	: Reversible	
Max. Test Pressure	: 1Kg/cm ²	
Max. Temperature	: 40°C	
Min. Liquid Sp. Gr.	: 0.75	



SHRIDHAN AUTOMATION PVT. LTD.,

#B-54, KSSIDC Industrial Estate, Kumbalagodu, Mysore Road,
Bengaluru - 560074 ; Ph. : 080 - 28437847 / 28437848 ; Fax : 080 - 28437849

Email : info@shridhan.com ; Website : www.shridhan.com

Note: All dimensions in MM, unless otherwise specified.

Level switches for liquids | Level transmitters for liquids | Level indicators for liquids | Level controllers for liquids

*Custom built specs. / Options available on request. | **Disclaimer** : We reserve the right to modify the design & specification without prior notice. (CTGE/MVFS/6-2009)