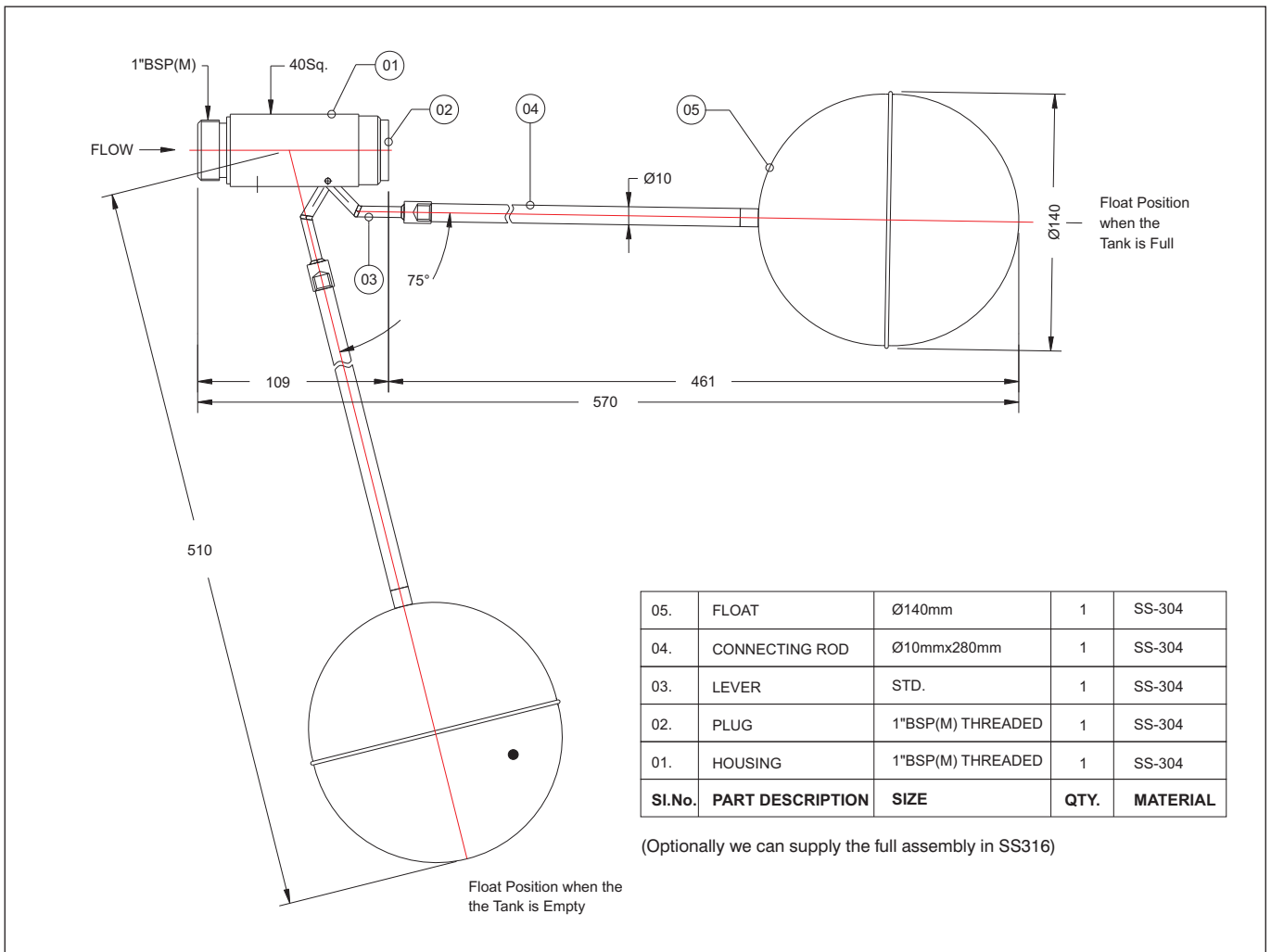


FLOAT VALVE - FLV

Shridhan float valve is a mechanical contrivance fitted on the inlet line to stop the flow of liquid into the tank.

If the liquids is drained from the tank the valve opens automatically, and lets the liquid in. The inlet pipe is closed automatically once the tank is filled. The inlet valve opens in proportion to the fluid level in the tank. The flow in to the tank is throttled gradually as the tank fills thereby preventing overflow.



CHARACTERISTICS

- Proportional behavior (The flow is in inverse proportion to tank contents)
- Operation largely independent of inlet pressure
- Easy to assemble & maintain
- Compact Design
- Totally leak-proof

TECHNICAL DATA

Type	: Float Valve
Construction	: 2 way
Fitting Position	: Float Lever Downwards
Media	: Potable water, Diesel/ Kerosene, Physically & Chemically similar media.
Operating Temp.	: 40°C Max.
Operating Pressure	: 2 Bar Max.
Flow	: 4.5m ³ /hr
Connection	: ½" BSP (M) 1" BSP (M)

ORDERING INFORMATION

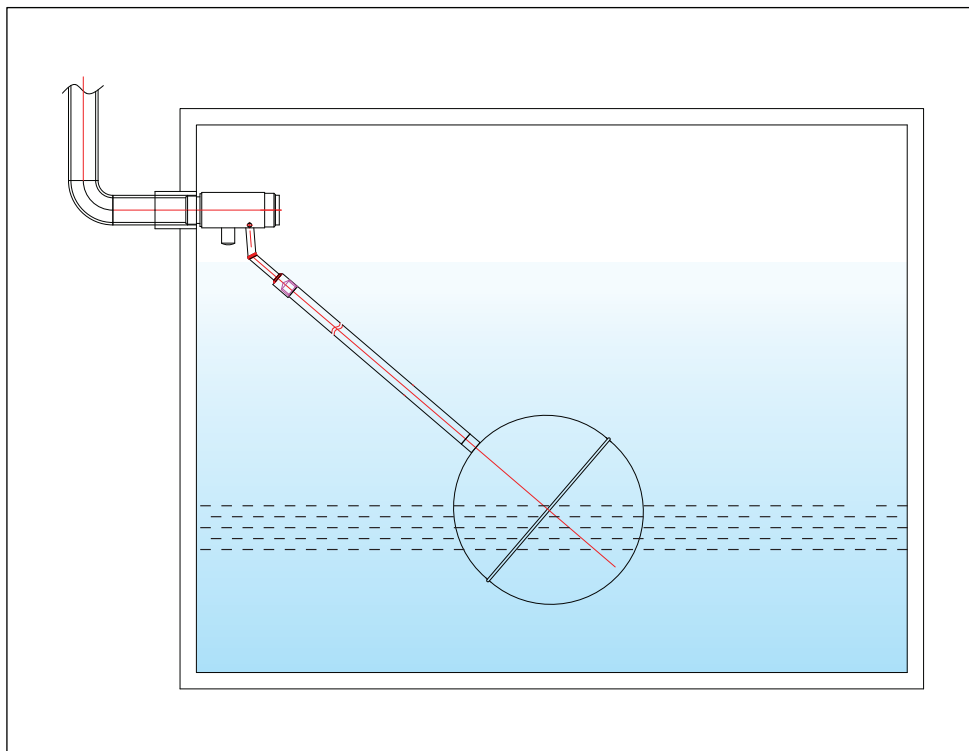
Your specific enquiry should include information on your required application with following data. This will help us to attend to your enquiry immediately & promptly.

- Material of Construction
- Operating pressure and flow
- Size of storage tank

APPLICATIONS

- Tank Filling
- Industrial Appliances

TYPICAL INSTALLATION INSIDE TANKS



SHRIDHAN AUTOMATION PVT. LTD.,

#B-54, KSSIDC Industrial Estate, Kumbalagodu,

Mysore Road, Bengaluru - 560074

Ph. : 080 - 28437847 / 28437848 ; Fax : 080 - 28437849

Email : info@shridhan.com ; Website : www.shridhan.com

Note: All dimensions in MM, unless otherwise specified.

Level switches for liquids | Level transmitters for liquids | Level indicators for liquids | Level controllers for liquids

*Custom built specs. / Options available on request. | **Disclaimer** : We reserve the right to modify the design & specification without prior notice. (CTGE/FLV/6-2009)