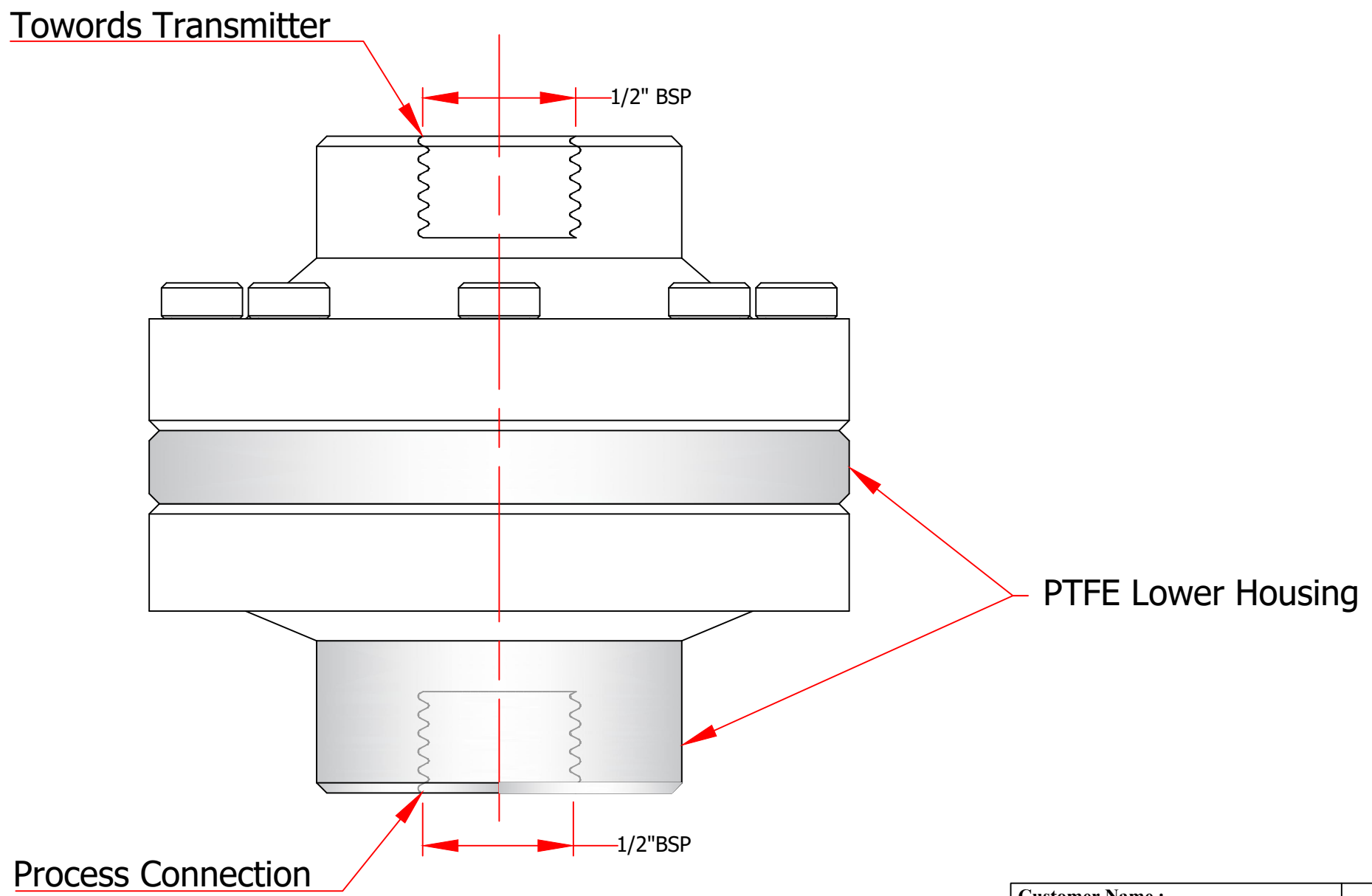

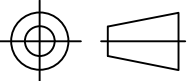


COPY RIGHT & CONFIDENTIAL

This document is the exclusive property of SHRIDHAN INDIA and contains confidential information. This document or its contents shall not be used, reproduced or disclosed in whole or in part, without prior written permission of SHRIDHAN INDIA. This document and all its copies shall be returned to SHRIDHAN INDIA on demand

Specifications	
Particulars	MOC
Seal	AISI 316
Diaphragm	AISI 316L
Process Connection : 1/2" Threaded BSP/NPT Male or Female	



Customer Name : M/s. ----			
End User: M/s. ----			
Cust Ref : ----	Drawing No. : ----	Rev No. 00	Projection : 
SO No. :	All Dimensions in mm		Sheet 0 of 0
Project:		Title & Model No. <b>PTFE Bolted Chemical Seals</b>	
R0	Released for Approval	Date	Drawn
Rev	Description	Date	Checked
		Approved	Scale :NTS

R0	Released for Approval	Date	Drawn
Rev	Description	Date	Checked
		Approved	Scale :NTS