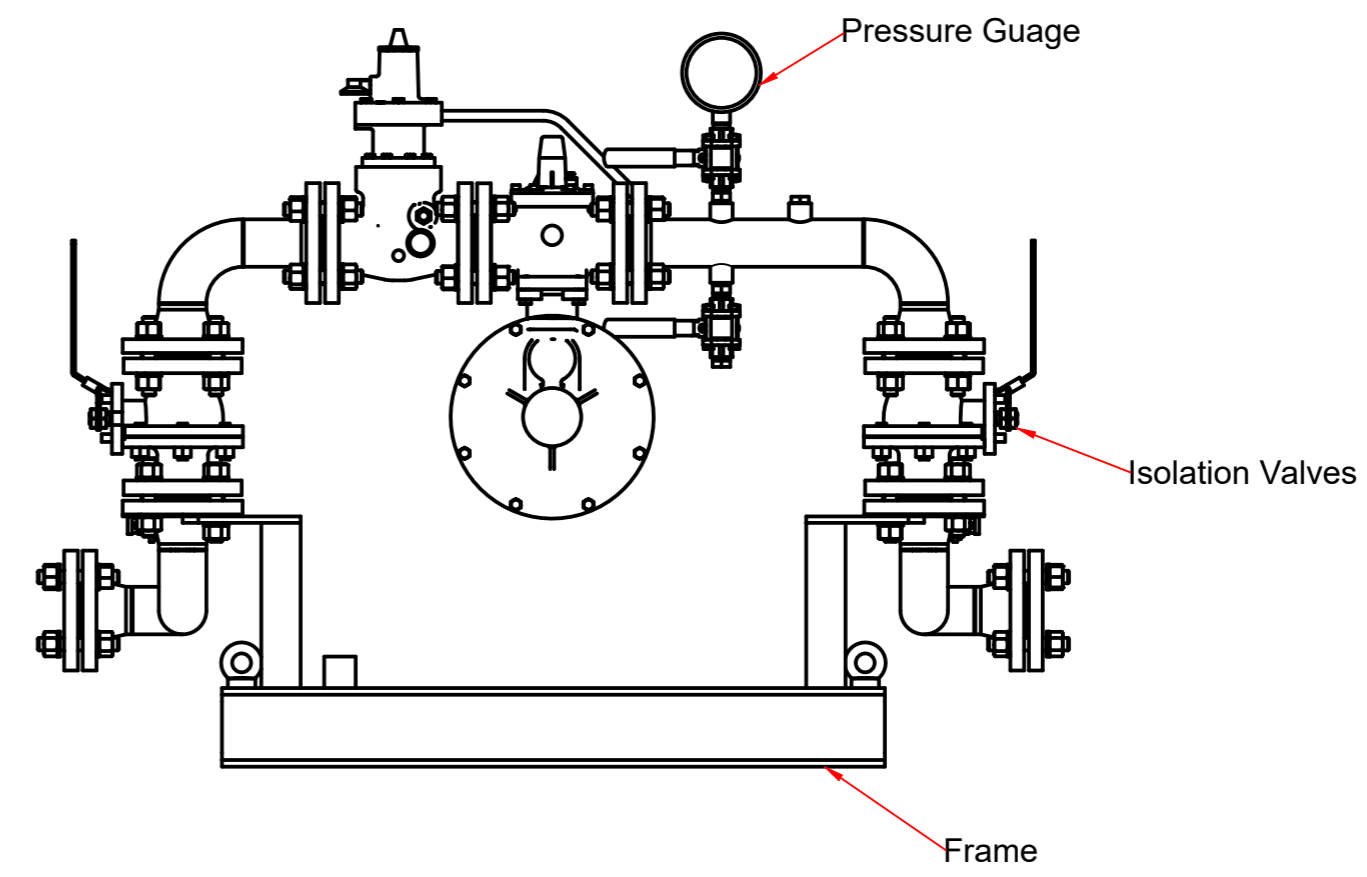
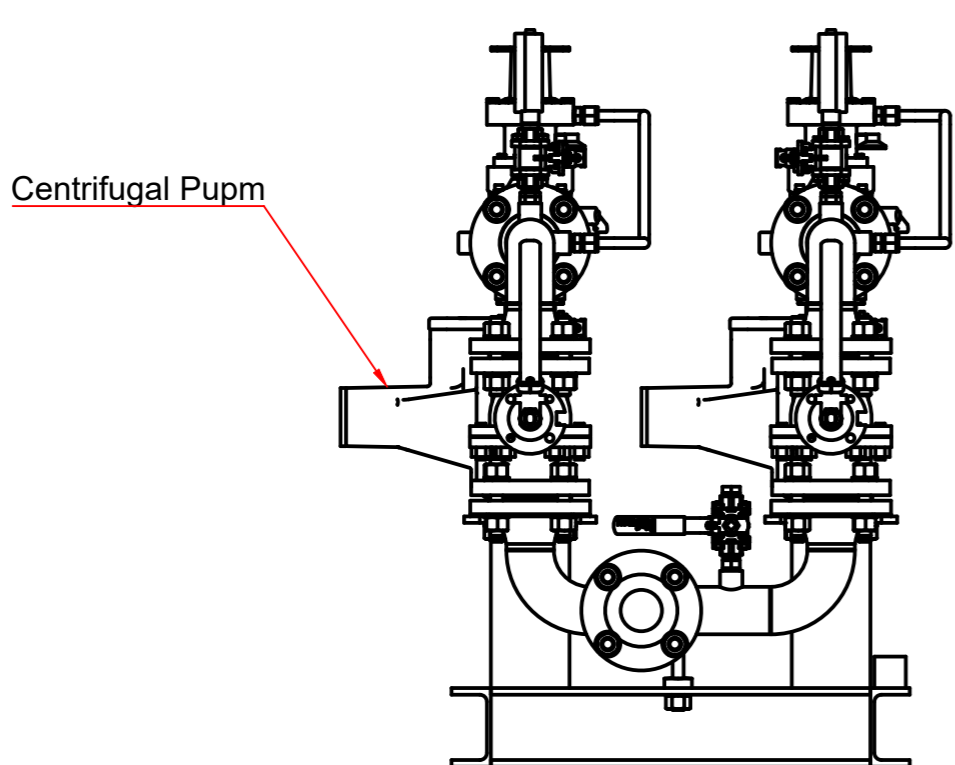

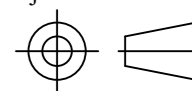


This document is the exclusive property of SHRIDHAN INDIA and contains confidential information. This document or its contents shall not be used, reproduced or disclosed in whole or in part, without prior written permission of SHRIDHAN INDIA. This document and all its copies shall be returned to SHRIDHAN INDIA on demand.



Material of Construction : To be decided by Customer

Customer Name :			
End User:			
Cust Ref :	Drawing No. :	Rev No. : 00	Projection : 
SO No. :	All Dimensions in mm		Sheet 1 of 1
Scale :NTS		Title & Model No. Pressure Piping	

Project:	R0					
	Rev	Description	Date	Drawn	Checked	Approved