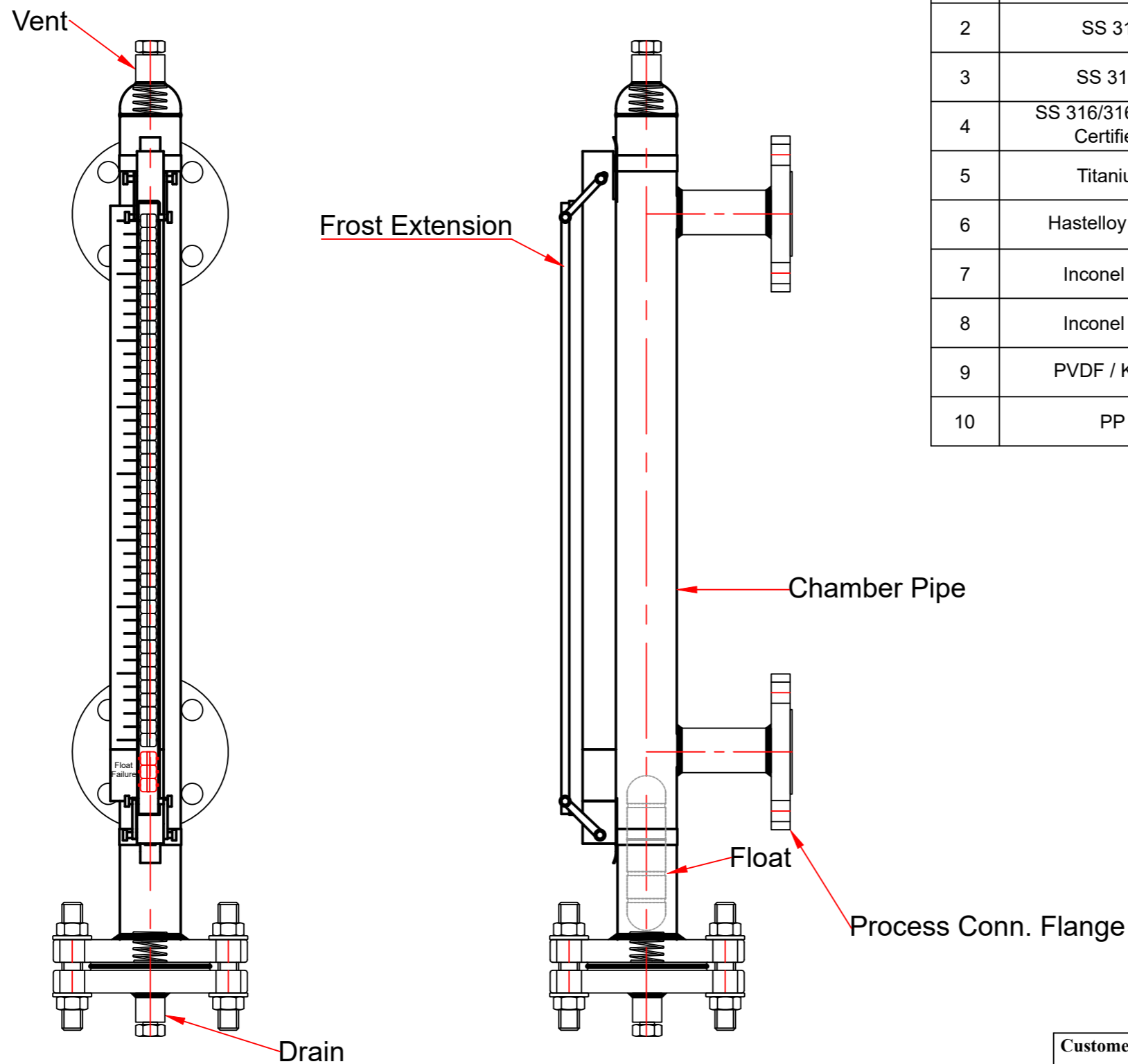


COPY RIGHT & CONFIDENTIAL

This document is the exclusive property of SHRIDHAN INDIA and contains confidential information. This document and all its copies shall be returned to SHRIDHAN INDIA on demand without prior written permission of SHRIDHAN INDIA. This document shall not be used, reproduced or disclosed in whole or in part,



Material of Construction		Process Connection Flanged		Process Connection Threaded		
SI No.	Material Type	SI No.	Type	SI No.	Type	
1	SS 304	1	1/2" (#150 to #2500)	1	1/2" NPT	
2	SS 316	2	3/4" (#150 to #2500)	2	1/2" BSP	
3	SS 316L	3	1" (#150 to #2500)	3	3/4" NPT	
4	SS 316/316L(Dual Certified)	4	1 1/2" (#150 to #2500)	4	3/4" BSP	
5	Titanium	5	2" (#150 to #2500)	5	1" NPT	
6	Hastelloy C276	6	3" (#150 to #2500)	6	1" BSP	
7	Inconel 625	Vent/Drain Flanged		Vent/Drain Plugged		
8	Inconel 825	SI No.	Type	SI No.	Size	Type
9	PVDF / Kynar	1	1/2" (#150 to #2500)	1	1/2"	BSP/NPT Plug
10	PP	2	3/4" (#150 to #2500)	2	3/4"	BSP/NPT Plug
		3	1" (#150 to #2500)	3	1"	BSP/NPT Plug
		4	1 1/2" (#150 to #2500)	4	1 1/2"	BSP/NPT Plug
		5	2" (#150 to #2500)	5	2"	BSP/NPT Plug
			Chamber Pipe		Vent/Drain Valve	
		SI No.	Size	SI No.	Size	Type
		1	2"(Sch.10 to Sch.160)	1	1/2"	Threaded,SW,SW with Flange, Flanged Valve
		2	2 1/2"(Sch.10 to Sch.160)	2	3/4"	Threaded,SW,SW with Flange, Flanged Valve
		3	3"(Sch.10 to Sch.160)	3	1"	Threaded,SW,SW with Flange, Flanged Valve
		4	4"(Sch.10 to Sch.160)	4	1 1/2"	Threaded,SW,SW with Flange, Flanged Valve
				5	2"	Threaded,SW,SW with Flange, Flanged Valve

**NOTE:**  
For any other variants contact factory.

**Product Approvals:**  
1. ATEX Approved.  
2. PED Approved.

Customer Name : \_\_\_\_\_  
 End User: \_\_\_\_\_  
 Cust Ref : \_\_\_\_\_  
 SO No. : \_\_\_\_\_  
 Scale :NTS



Drawing No. : \_\_\_\_\_ Rev No. : 00 Projection :

All Dimensions in mm Sheet 1 of 1

Title & Model No.  
Magnetic Level Indicator with Frost Extension

Project:	R0	Description	Date	Drawn	Checked	Approved
	Rev					